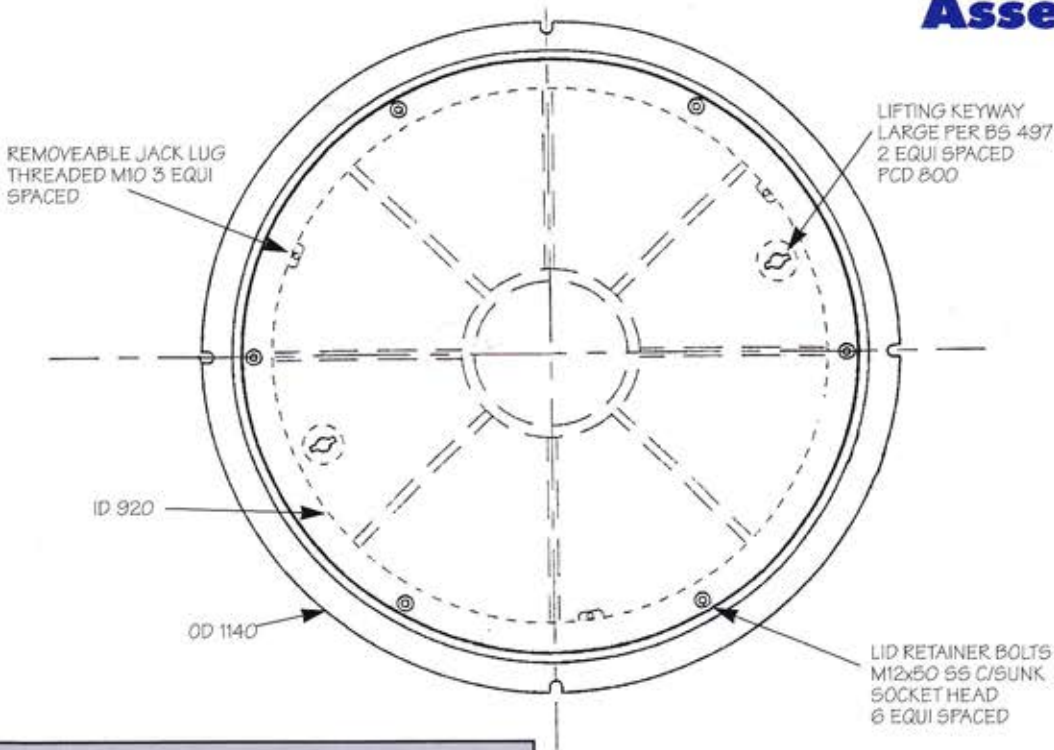


# Assembly Plan



## **B-1000** **SPECIFICATIONS**

### **Material**

Primary Aluminium  
CC601/T1

### **Lid Weight**

34 kg

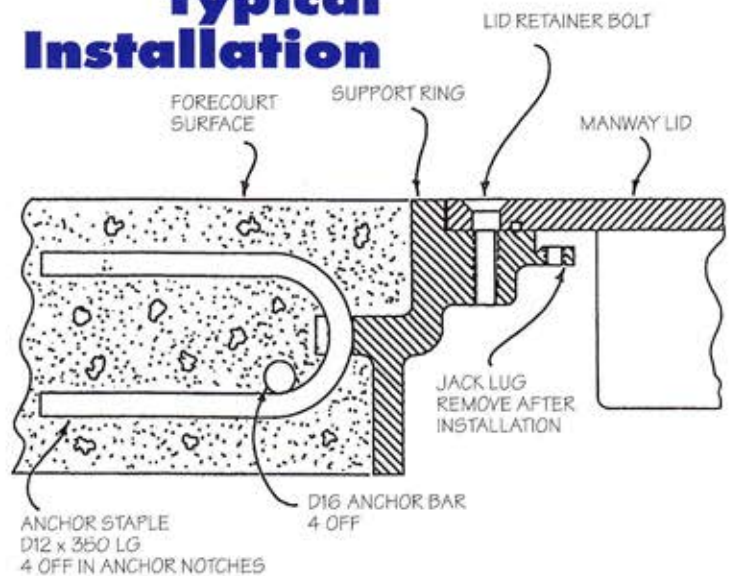
### **Support Ring Weight**

30.5 kg

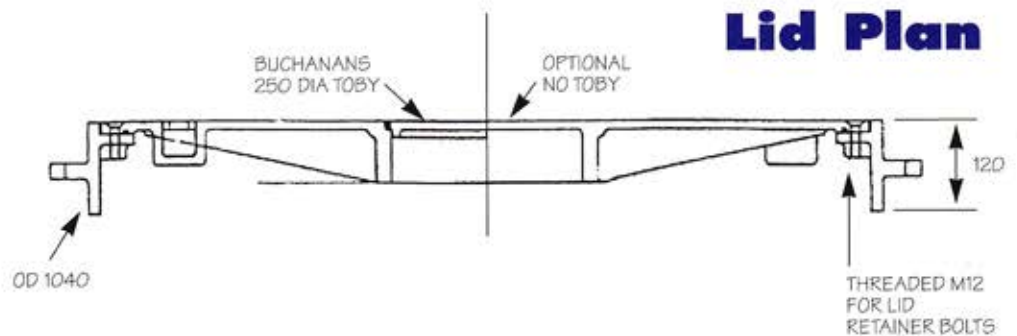
### **Toby Lifter**

Non Spark Aluminium Alloy

## Typical Installation



## Lid Plan



# NZF PRODUCTS LTD

195 MACES ROAD, BROMLEY  
CHRISTCHURCH 8062

SALES@NZFPRODUCTS.CO.NZ  
027 469 4301